



Accessory

Wireless PIR Sensor

WiZ Pro PIR Sensor



The WiZ Pro PIR sensor enables direct control of any WiZ Pro, WiZ Connected, or “Connected by WiZ” device without going through your Wi-Fi router. This accessory controls one or several devices by broadcasting a Wi-Fi message directly to the device based on motion and triggering an automatic response of the WiZ device (e.g., turn on lights to Daylight at 100% when motion is detected). Once the accessory is setup via the WiZ Pro Setup app or the WiZ App, it will be able to control the devices even in the absence of Wi-Fi and the internet.

Furthermore, via the WiZ Pro dashboard, it is possible to target multiple rooms, or multiple devices (independently from the room structure). It is also possible to target a few devices in a room with this PIR sensor.

SPECIFICATIONS

POWER SOURCE	BATTERY LIFE (YEARS) *	CONTROL RANGE (M / FT) *	PIR DETECTION RANGE (M / FT)	RADIO PROTOCOL	ENVIR. PROTECTION RATING	OPERATING TEMPERATURE (°C)
2 × LR6 AA Alkaline Zn-MnO ₂	1	15 / 30	Height: 3 / 10 Beam Angle: 120°	Wi-Fi / 2.4 GHz	Indoor / IP20	-10 ~ 45

* Typical application.

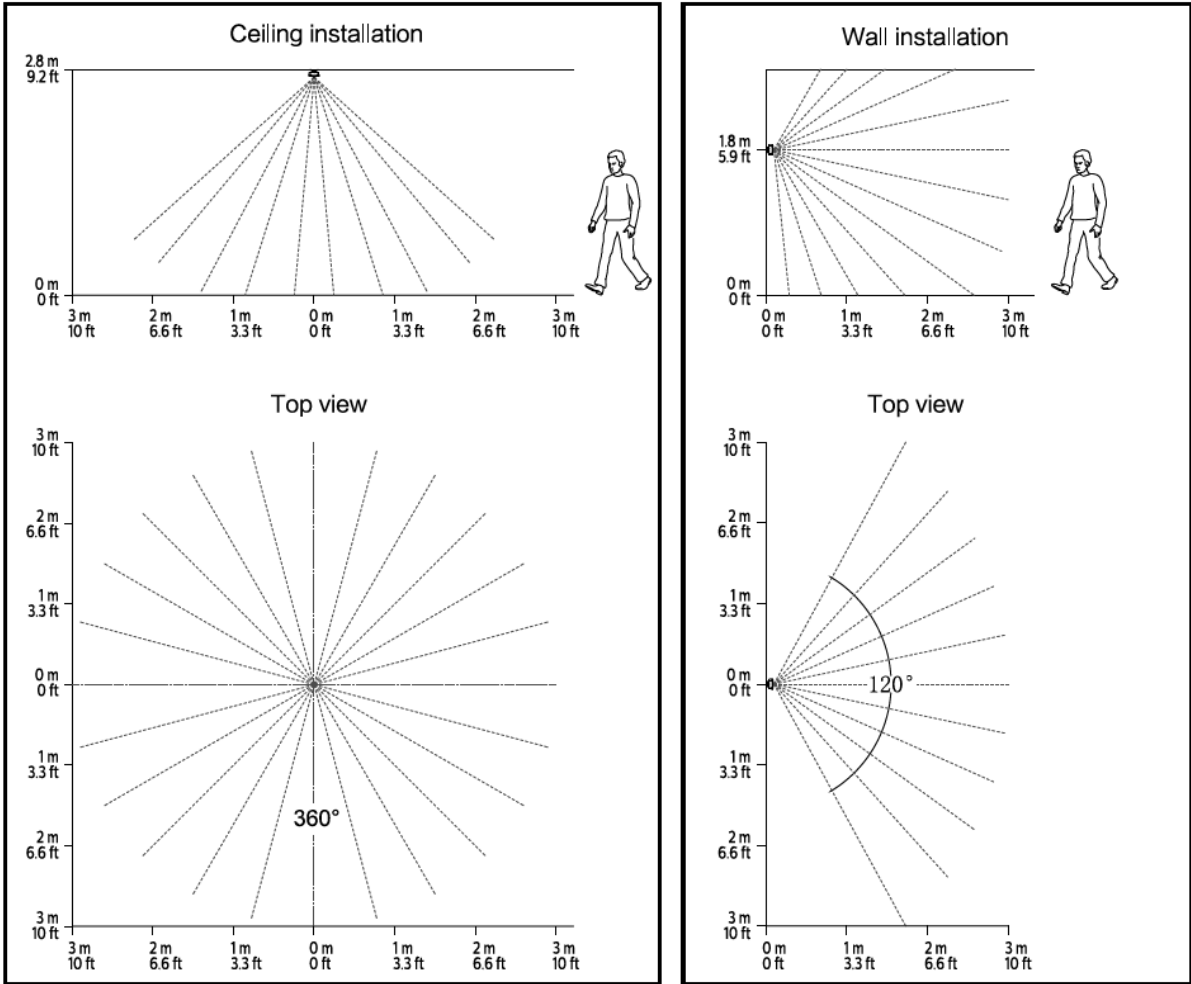
* In a normal indoor environment with partitions and walls.

ORDERING INFORMATION

PRODUCT NAME	12 NC	EAN/UPC	PIECES PER CASE
WiZ Pro Wireless Sensor	929002422371	8720169071490	6



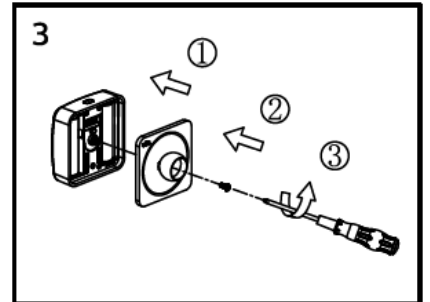
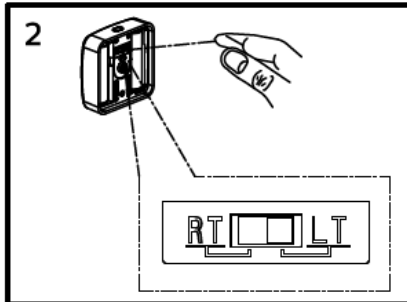
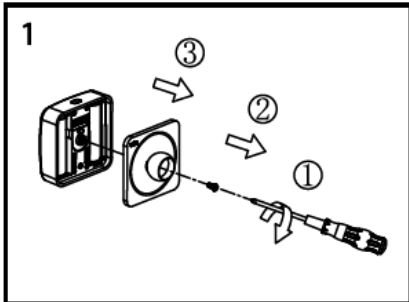
PIR FIELD OF VIEW



SENSOR RESPONSIVENESS AND BATTERY USAGE TIME ADJUSTMENT

RT: Response Time (the default setting). This setting increases the responsiveness of the sensor. It will report the absence of motion after 5 minutes.

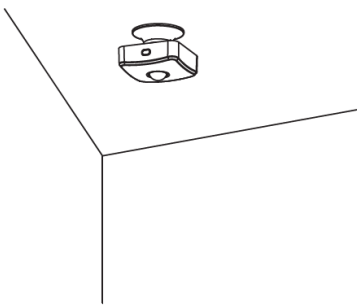
LT: Lifetime (of the battery). This setting makes the sensor report the absence of motion after 12 minutes. Consequently, this will increase the battery lifetime.



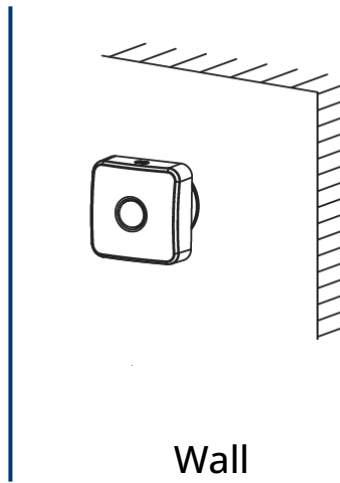
WIRELESS INTERFACE

ITEM	VALUE	UNIT	CONDITIONS
Communication Method	Wi-Fi		
Wi-Fi Frequency	2412 - 2472	MHz	
Wi-Fi Transmission Power	20	dBm	

MOUNTING OPTIONS



Ceiling

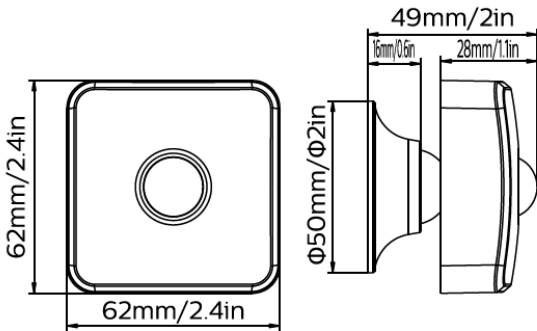


Wall



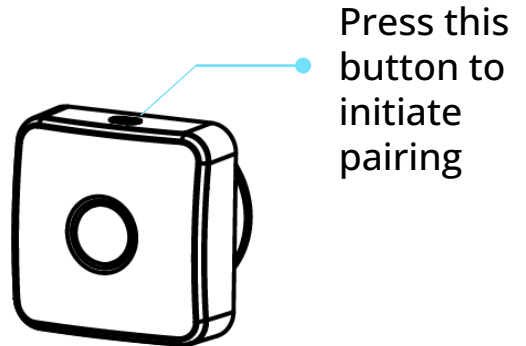
Standalone / Free Standing

DIMENSIONS



Weight: 57g

PAIRING BUTTON



APPLICATION NOTES

- Please refer to the installation instructions included with the PIR sensor.
- One device can react to the commands of up to 10 accessories.
- Ambient Temperature range is between -10 °C to +45°C.
- Do not use this product in applications where it is directly exposed to water.
- Install the product at least 2m (6.6 ft) from heaters, fans, and other RF devices.
- Modifications of the product voids the limited warranty.

SOFTWARE / APPS

Please scan the QR code for instructions download the WiZ Pro Setup app and the WiZ App.



www.wizconnected.com/pro

RF COMPLIANCE / DISCLAIMER / EXPOSURE STATEMENTS

Hereby, Signify declares that the radio equipment type WiZ Pro Wireless Sensor is in compliance with the Radio Equipment Regulations 2017 (S.I.2017/1206). The full text of the UK declaration of conformity is available at the following internet address: wizconnected.com

Hereby, Signify declares that the radio equipment type WiZ Pro Wireless Sensor is in compliance with Directive 2014/53/EU. The full text of the EU declaration of conformity is available at the following internet address: wizconnected.com

- Wi-Fi®, the Wi-Fi logo, the Wi-Fi CERTIFIED logo are registered trademarks of the Wi-Fi Alliance.
- WPA™, WPA2™, WPA3™ are trademarks of the Wi-Fi Alliance.
- The Bluetooth® word and logos are registered trademarks owned by the Bluetooth SIG, Inc.
- Amazon, Alexa and all related logos are trademarks of Amazon.com, Inc. or its affiliates.
- Google, Google Play and the Google Play logo are the trademark of Google LLC.
- The Apple logo and Siri are the registered trademark of Apple Inc.
- Any use of such marks by Signify is under license. Other trademarks and trade names are those of their respective owners.

The information presented in this document is not intended as any commercial offer and does not form part of any quotation or contract.

WiZ is a global brand of



© 2022 Signify Holding, IBRS 10461, 5600VB, NL. All rights reserved. This document contains information relating to the product portfolio of Signify which information may be subject to change. No representation or warranty as to the accuracy or completeness of the information included herein is given and any liability for any action in reliance thereon is disclaimed. All trademarks are owned by Signify Holding or their respective owners.

Signify – I.B.R.S. / C.C.R.I Numéro
10461 5600 VB Eindhoven
The Netherlands

Signify Commercial UK Ltd.
Unit 3,
Guildford Business Park
Guildford, Surrey, GU2 8XG,
UK

www.wizconnected.com/pro