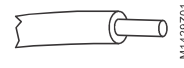
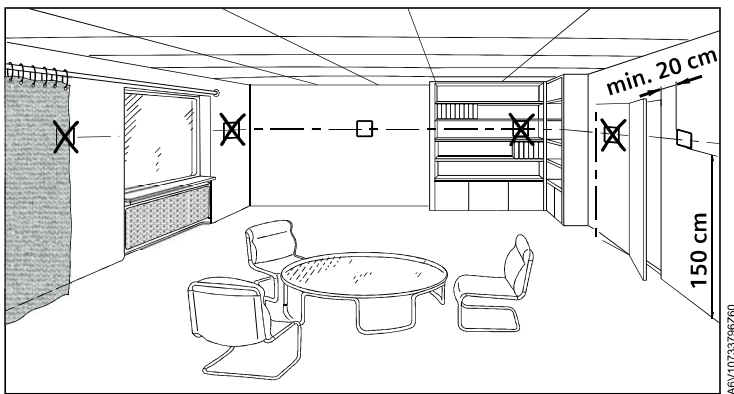
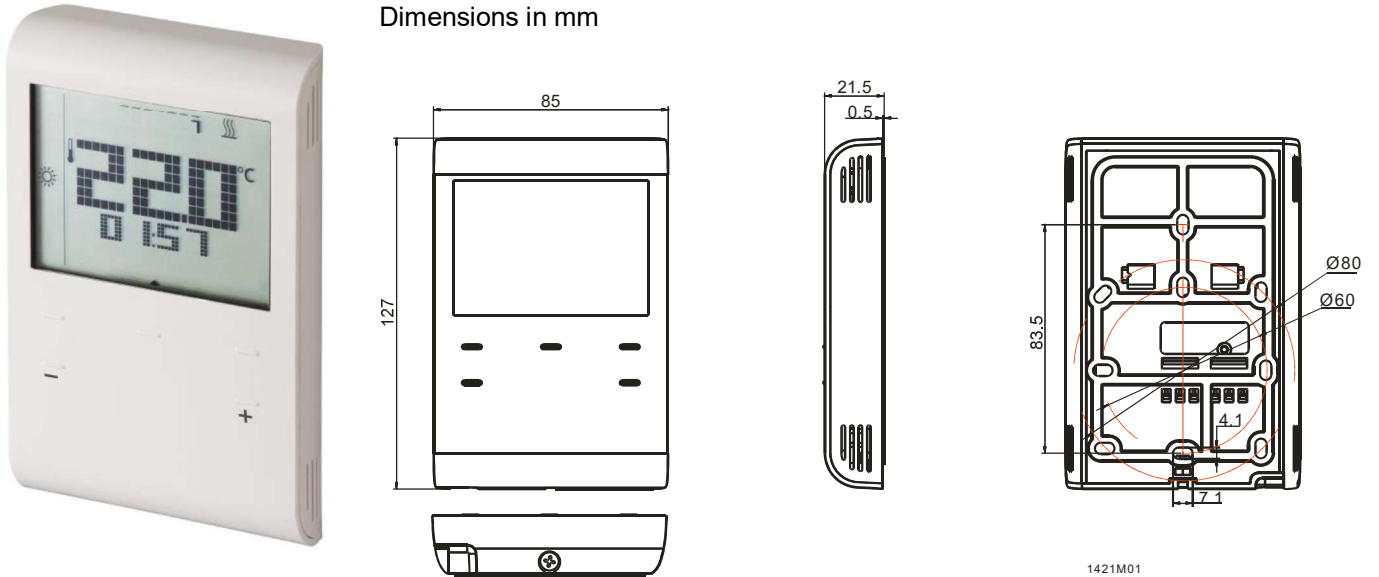
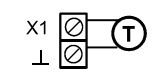


## RDE100..

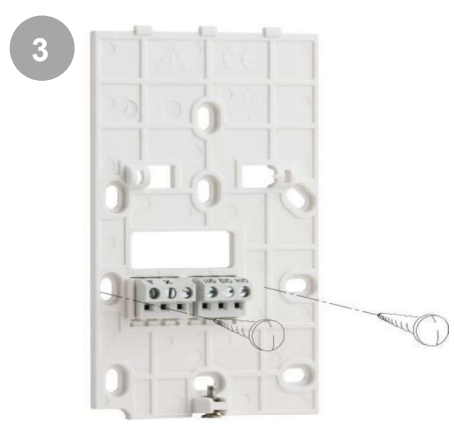
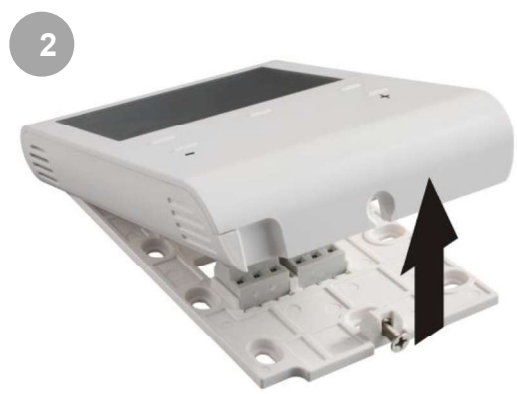
Dimensions in mm



Max. 1 x 2.5 mm<sup>2</sup>  
Max. 2 x 1.5 mm<sup>2</sup>

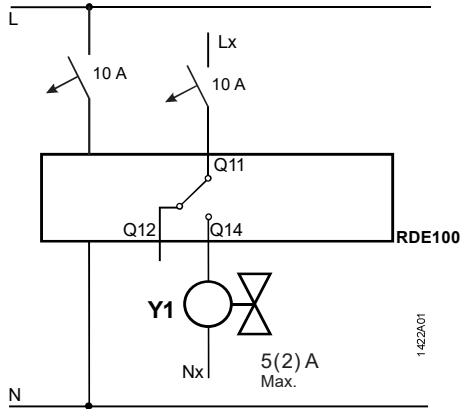


Wire [mm <sup>2</sup> ]	Max. [m]
1.5	80



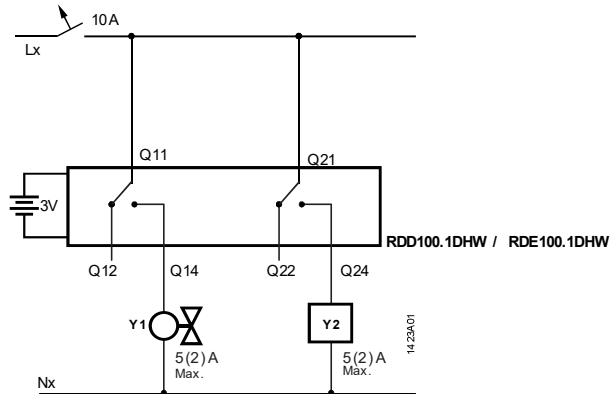


### RDE100



⚠ L-N AC 230 V

### RDD100.1DHW / RDE100.1DHW



⚠ Lx-Nx 24...230 V

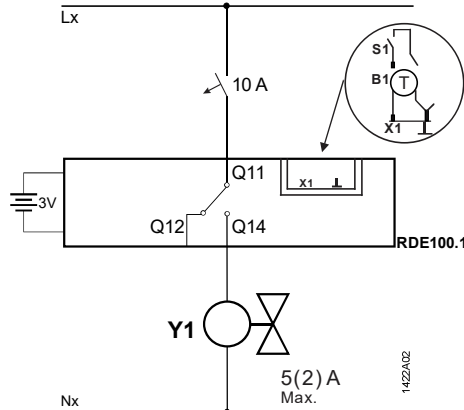


1) [www.siemens.com/HIT](http://www.siemens.com/HIT)  
(HIT start center)

2) 🔍 "RDE"

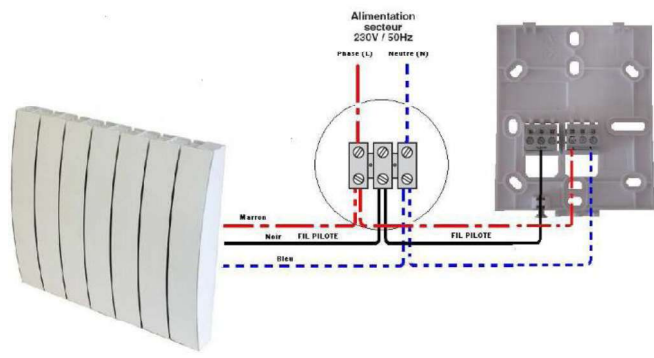
3) 📄 (doc)

### RDE100.1



⚠ Lx-Nx 24...230 V

### RDE100FP (Fil Pilote)



⚠ L-N AC 230 V



🕒 Max. 1.5 min.

Issued by  
Siemens Switzerland Ltd.  
Building Technologies Division  
International Headquarters  
Gubelstrasse 22  
CH-6300 Zug  
Tel. +41 41-724 24 24