



GA-016 ART

- Driver fitted inside the adapter
- Good light in small form factor – no separate housing part

GA-016 ART

Input Power	LED-Module *Citizen 6Gen	Colour Consistency	Installation Type	Material	Warranty	Beam Angles	Luminaire Color
220 – 240V	CRI 80+ 3000K, 4000K, 5000K	2-Step MacAdam	Global XTS 3-phase Trac	Powder Painted Die-Cast Aluminum	50 000h Or 5 Years	1206 COB: S 15°	White (RAL 9016)
	CRI 90+ 2700K B.BBL, 3000K B.BBL, 3500K B.BBL, 4000K					NFL 20°	Silver (Ca. RAL 9006)
						FL 30° WFL 50°	Black (RAL 9005)

LED Module: Citizen CLU038-1206 6-Gen – COB luminous flux:

Output Current /
Module Wattage /
System Wattage:

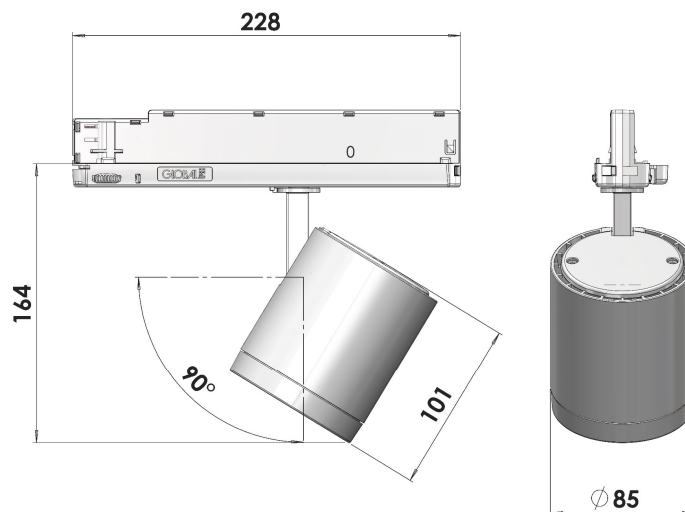
700mA / 25W / 27W

750mA / 27W / 29W

800mA / 28W / 31W

850mA / 31W / 33W

	CRI 80+ 3 000K	CRI 80+ 4 000K	CRI 80+ 5 000K	CRI 90+ 2 700K Below BBL	CRI 90+ 3 000K Below BBL	CRI 90+ 3 500K Below BBL	CRI 90+ 4 000K
700mA / 25W / 27W	3 550Lm	3 650Lm	3 675Lm	2 775Lm	2 875Lm	2 925Lm	3 075Lm
750mA / 27W / 29W	3 750Lm	3 850Lm	3 875Lm	2 925Lm	3 050Lm	3 100Lm	3 250Lm
800mA / 28W / 31W	3 925Lm	4 025Lm	4 075Lm	3 075Lm	3 200Lm	3 250Lm	3 425Lm
850mA / 31W / 33W	4 125Lm	4 225Lm	4 275Lm	3 225Lm	3 350Lm	3 400Lm	3 575Lm



IP20

LED Design | Made In Finland

LIVAL